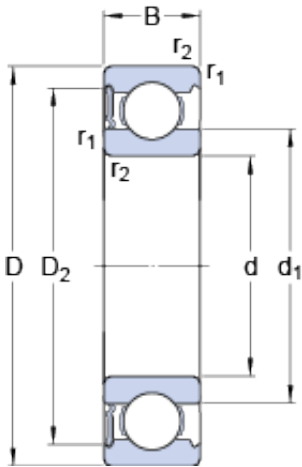




Bearing de Mexico, S.A.



75 mm x 115 mm x 20 mm SKF 6015-RS1 deep groove ball bearings

Bearing No. 6015-RS1

6015-RS1 Bearing 2D drawings and 3D CAD models

Size	115x75x20 mm
Bore Diameter	115 mm
Outer Diameter	75 mm
Width	20 mm
d	75 mm
D	115 mm
B	20 mm
d ₁	87.85 mm
D ₂	104.9 mm
r _{1,2} - min.	1.1 mm
d _a - min.	81 mm
d _a - max.	87.8 mm
D _a - max.	109 mm
r _a - max.	1 mm
Basic dynamic load rating - C	41.6 kN
Basic static load rating - C ₀	33.5 kN
Fatigue load limit - P _u	1.4 kN
Limiting speed	3400 r/min
Calculation factor - k _r	0.025
Calculation factor - f ₀	15.8
Category	Single Row Ball Bearings
Inventory	0.0
Manufacturer Name	SKF
Minimum Buy Quantity	N/A



Bearing de Mexico, S.A.

Weight / Kilogram	0
EAN	7316571070902
Product Group	B00308
Enclosure	1 Seal
Precision Class	ABEC 1 ISO P0
Maximum Capacity / Filling Slot	No
Rolling Element	Ball Bearing
Snap Ring	No
Internal Special Features	No
Cage Material	Steel
Enclosure Type	Contact Seal
Internal Clearance	C0-Medium
Inch - Metric	Metric
Long Description	75MM Bore; 115MM Outside Diameter; 20MM Outer Race Width; 1 Seal; Ball Bearing; ABEC 1 ISO P0; No Filling Slot; No Snap Ring; No Internal Special Features; C0-Medium Internal Clearance; Steel Cage;
Other Features	Deep Groove NBR Seal
Category	Single Row Ball Bearing
UNSPSC	31171504
Harmonized Tariff Code	8482.10.50.68
Noun	Bearing
Keyword String	Ball
Manufacturer URL	http://www.skf.com
Weight / LBS	1.4647
Outer Race Width	0.787 Inch 20 Millimeter
Outside Diameter	4.528 Inch 115 Millimeter
Inner Race Width	0 Inch 0 Millimeter
Bore	2.953 Inch 75 Millimeter



Bearing de Mexico, S.A.

d_1	87.85 mm
D_2	104.9 mm
$r_{1,2}$ min.	1.1 mm
d_a min.	81 mm
d_a max.	87.8 mm
D_a max.	109 mm
r_a max.	1 mm
Basic dynamic load rating C	41.6 kN
Basic static load rating C_0	33.5 kN
Fatigue load limit P_u	1.43 kN
Calculation factor k_r	0.025
Calculation factor f_0	15.8
Mass bearing	0.65 kg