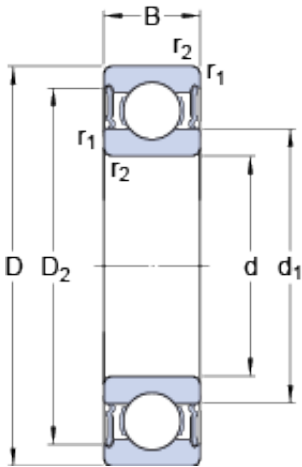




## Bearing de Mexico, S.A.



45 mm x 100 mm x 25 mm SKF 6309-2RS1 deep groove ball bearings

Bearing No. 6309-2RS1

6309-2RS1 Bearing 2D drawings and 3D CAD models

Size	100x45x25 mm
Bore Diameter	100 mm
Outer Diameter	45 mm
Width	25 mm
d	45 mm
D	100 mm
B	25 mm
d <sub>1</sub>	62.18 mm
D <sub>2</sub>	86.7 mm
r <sub>1,2</sub> - min.	1.5 mm
d <sub>a</sub> - min.	54 mm
d <sub>a</sub> - max.	62.1 mm
D <sub>a</sub> - max.	91 mm
r <sub>a</sub> - max.	1.5 mm
Basic dynamic load rating - C	55.3 kN
Basic static load rating - C <sub>0</sub>	31.5 kN
Fatigue load limit - P <sub>u</sub>	1.3 kN
Limiting speed	4500 r/min
Calculation factor - k <sub>r</sub>	0.03
Calculation factor - f <sub>0</sub>	13
Category	Single Row Ball Bearings
Inventory	0.0
Manufacturer Name	SKF
Minimum Buy Quantity	N/A



## Bearing de Mexico, S.A.

Weight / Kilogram	0.866
Product Group	B00308
Enclosure	2 Seals
Precision Class	ABEC 1   ISO P0
Maximum Capacity / Filling Slot	No
Rolling Element	Ball Bearing
Snap Ring	No
Internal Special Features	No
Cage Material	Steel
Enclosure Type	Contact Seal
Internal Clearance	C0-Medium
Inch - Metric	Metric
Long Description	45MM Bore; 100MM Outside Diameter; 25MM Outer Race Diameter; 2 Seals; Ball Bearing; ABEC 1   ISO P0; No Filling Slot; No Snap Ring; No Internal Special Features
Category	Single Row Ball Bearing
UNSPSC	31171504
Harmonized Tariff Code	8482.10.50.68
Noun	Bearing
Keyword String	Ball
Manufacturer URL	<a href="http://www.skf.com">http://www.skf.com</a>
Manufacturer Item Number	6309-2RS1
Weight / LBS	1.92
Outside Diameter	3.937 Inch   100 Millimeter
Outer Race Width	0.984 Inch   25 Millimeter
Bore	1.772 Inch   45 Millimeter
d <sub>1</sub>	62.18 mm
D <sub>2</sub>	86.7 mm
r <sub>1,2</sub> min.	1.5 mm



## Bearing de Mexico, S.A.

$d_a$ min.	54 mm
$d_a$ max.	62.1 mm
$D_a$ max.	91 mm
$r_a$ max.	1.5 mm
Basic dynamic load rating C	55.3 kN
Basic static load rating $C_0$	31.5 kN
Fatigue load limit $P_u$	1.34 kN
Calculation factor $k_r$	0.03
Calculation factor $f_0$	13
Mass bearing	0.86 kg