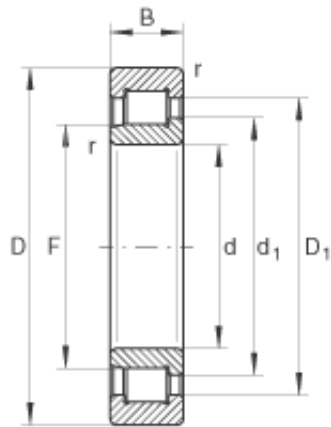




Bearing de Mexico, S.A.



75 mm x 160 mm x 55 mm INA SL192315 cylindrical roller bearings

Bearing No. SL192315

SL192315 Bearing 2D drawings and 3D CAD models

Size	75x160x55 mm
Bore Diameter	75 mm
Outer Diameter	160 mm
Width	55 mm
d	75 mm
D	160 mm
B	55 mm
D ₁	131,5 mm
d ₁	101,6 mm
F	91,22 mm
r _{min}	2,1 mm
s	3,5 mm / Axial displacement
m	5,3 kg / Weight
C _r	460000 N / Dynamic load rating (radial)
C _{0r}	465000 N / Static load rating (radial)
C _{ur}	87000 N / Fatigue limit load, radial
n _G	2800 1/min / Limiting speed
Category	Cylindrical Roller Bearings
Inventory	0.0
Manufacturer Name	SCHAEFFLER GROUP
Minimum Buy Quantity	N/A
Weight / Kilogram	6.347



Bearing de Mexico, S.A.

EAN	4047643221078
Product Group	B04144
Bore Profile	Straight
Cage Material	None
Precision Class	RBEC 1 ISO P0
Number of Rows of Rollers	Single Row
Separable	Inner Ring - One Side
Rolling Element	Cylindrical Roller Bearing
Profile	Complete with Outer and Inner Ring
Snap Ring	No
Internal Clearance	C3-Loose
Retainer	No
Relubricatable	Yes
Inch - Metric	Metric
Other Features	Full Complement 1 Rib Inner Ring 2 Rib Outer Ring Operating Temperature From -30 to 120 Deg
Long Description	75MM Bore; Straight Bore Profile; 160MM Outside Diameter; 55MM Width; RBEC 1 ISO P0; Single Row; Inner Ring - One Side Separable; No Snap Ring; Relubricatable; C3-Loose Internal Clearance; No Retain
Category	Cylindrical Roller Bearing
UNSPSC	31171547
Harmonized Tariff Code	8482.50.00.00
Noun	Bearing
Manufacturer URL	http://www.ina.com
Manufacturer Item Number	SL192315 C3
Weight / LBS	13.992



Bearing de Mexico, S.A.

Bore	2.953 Inch 75 Millimeter
Width	2.165 Inch 55 Millimeter
Outside Diameter	6.299 Inch 160 Millimeter