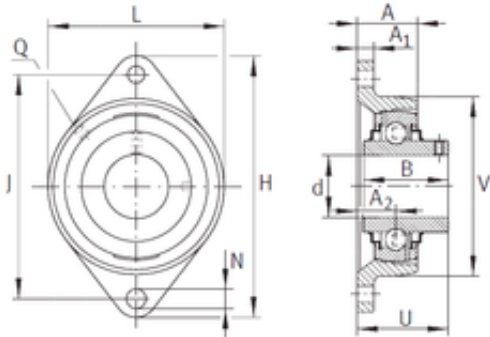




Bearing de Mexico, S.A.

INA RCJTY7/8 bearing units



Bearing No. RCJTY7/8

Bore Diameter	22,225 mm
d	22,225 mm
V	70,993 mm
U	38,811 mm
Thread (Q)	1/8 NPT
A	27,508 mm
A1	11,989 mm
B	34,112 mm
H	124,993 mm
J	99,009 mm
L	70,993 mm
N	11,506 mm
A2	18,999 mm

RCJTY7/8 Bearing 2D drawings and 3D CAD models